

CORRECTION: Intraocular Lens Implant

An error occurred in the article on lens implant (Vol. 38, No. 4, December 1984, p. 272). Fig. 1 should be as below:

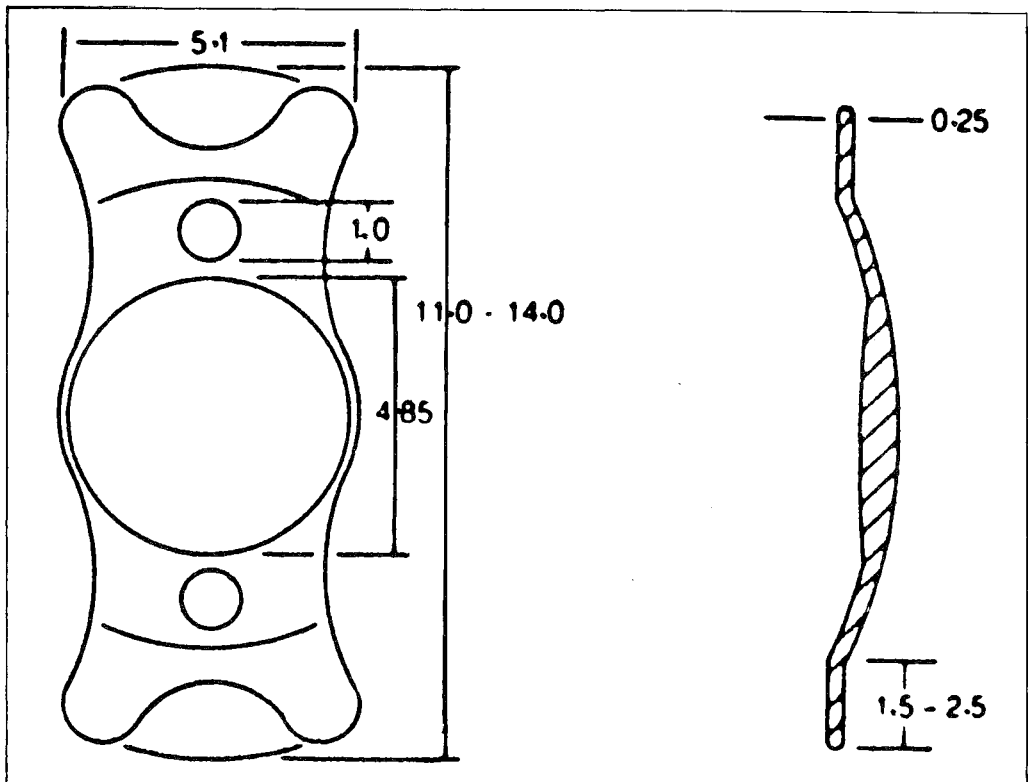


Fig. 1 Choyce Mark IX Lens
Measurements in mm.

Apologies is extended for the inconvenience caused.

K. Sukumaran